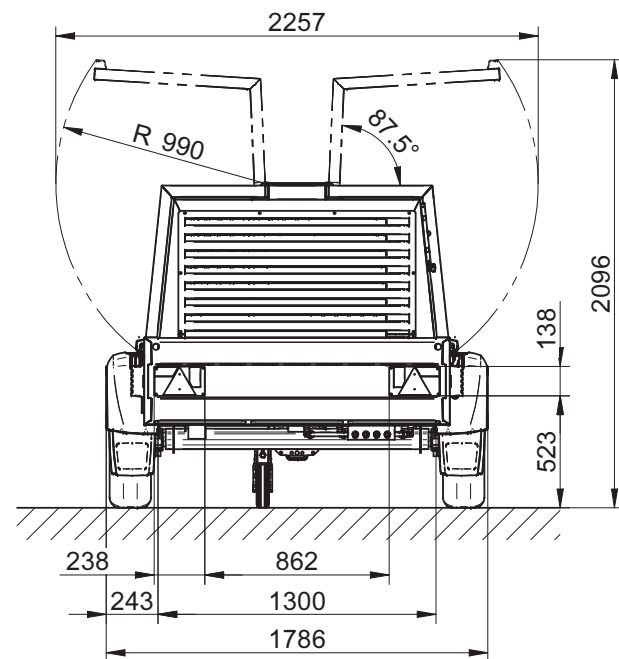
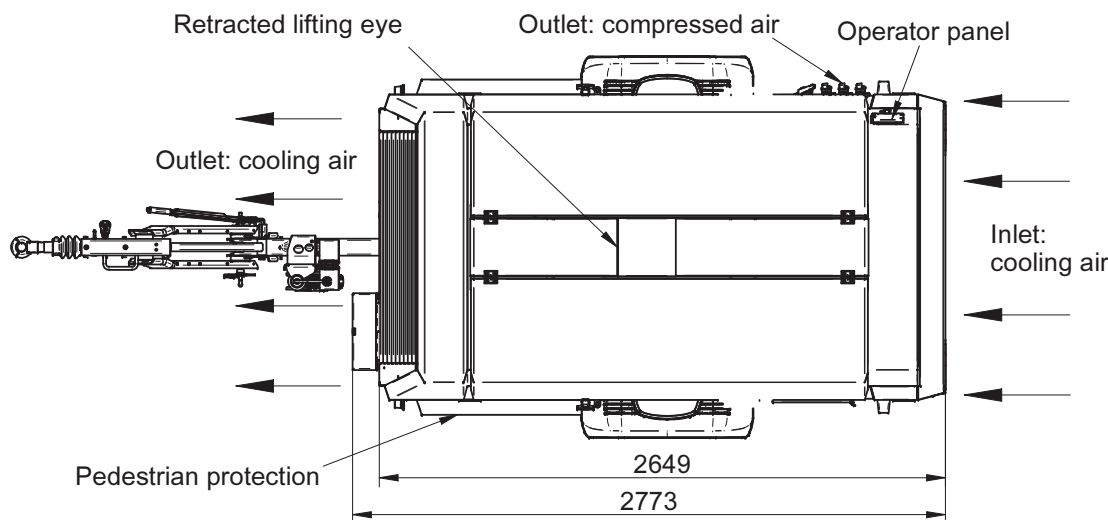
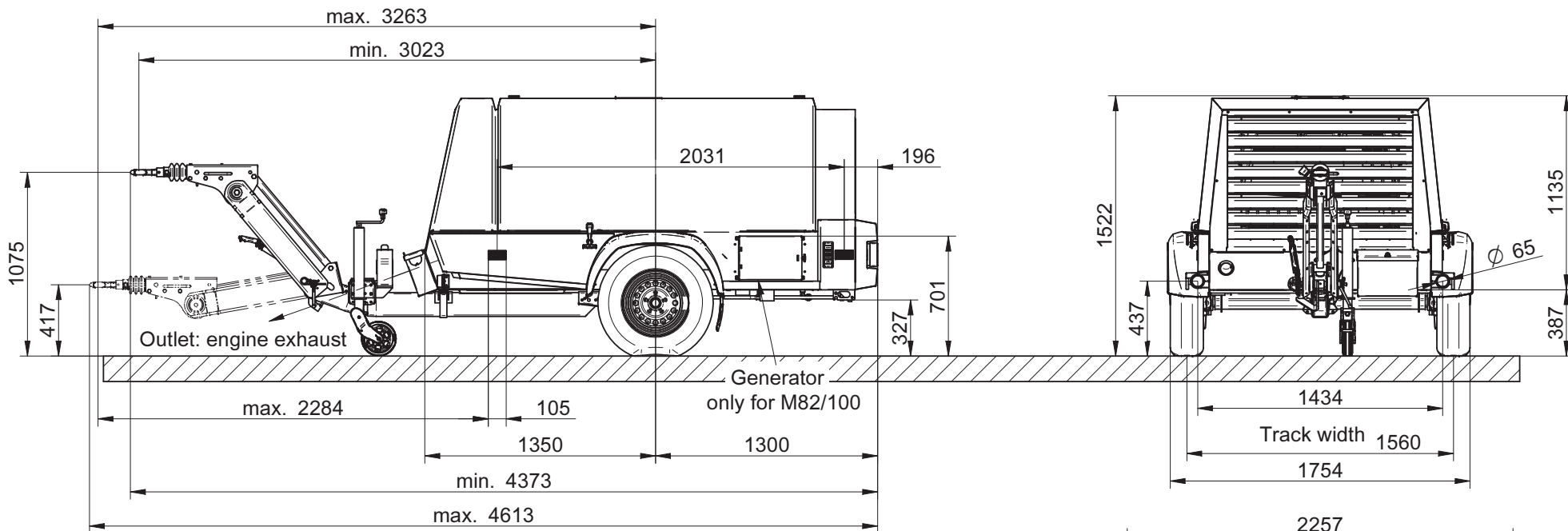


Subject to development-related changes.
Drawing may be altered only via CAD.



Area covered by the portable compressor (without chassis): 3.79 m²

rk	Low axle load
rm	With height adjustment
rs	With overrun brake
rb	EU chassis

Change number	Projection	Scale	Date		Name		Language	Sheet
			Drawn	Released	KNAUER5	PRETIS1		
Document TZM 10303886 E 00	Original A3	1:25	18.06.2015	10.07.2015	KNAUER5	KNAUER5	E	1/1
Document TZD 10303886 D 00			10.07.2015	PRETIS1	PRETIS1			
Status Released			Designation M 81/82/100.1 1600 rb rk rm rs Dimension and connection dim.					

Stand 05.12.2014

KAESER
KOMPRESSOREN